

Thank you for choosing the NECCST Scale.
You're holding a tool designed to bring clarity and control to every step of your coffee-making process. From precise dosing to flow-rate tracking, this scale is built to support your workflow—whether you're fine-tuning an espresso or perfecting a pour-over.



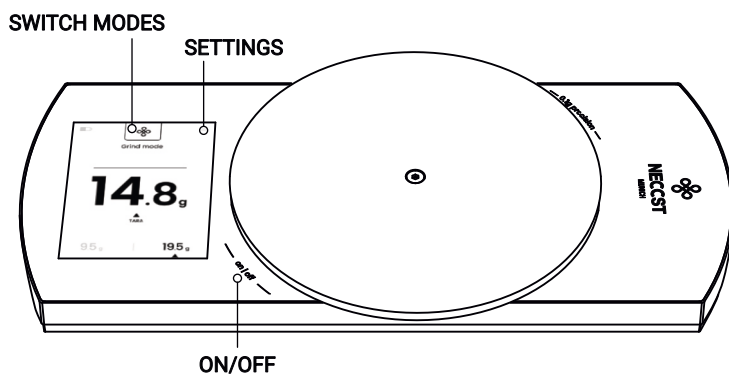
NECCST SCALE — QUICK START GUIDE

What's in the Box

- NECCST Coffee Scale
- 100g Calibration Weight
- 2 Rubber Feet
- USB Type-C Charger Cable

Warning:

- **Do not place more than 3000 g (3 kg) on the weighing platform.** Exceeding this limit may damage the scale.
- **Never forcefully place heavy loads onto the scale or move it while a weight is on the platform.** This can damage the sensors.
- **Do not disassemble the scale.** The internal structure is highly precise, and unauthorized disassembly will void the product warranty.
- **Never use a fast charging power supply.** It is recommended to use 5V, 1A - 2A adapter for charging.



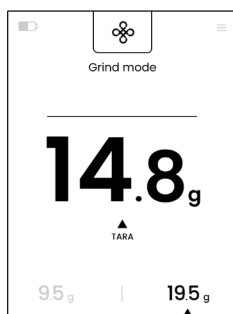
Powering On and Charging

Touch the On/Off area once to turn on. Tap again to turn off.

Use the USB-C port to charge fully in about two hours.

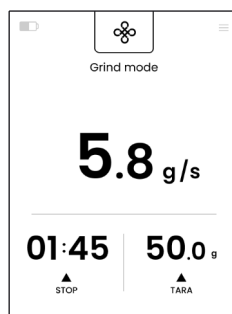
Caring for Your Scale

Wipe clean with a soft, damp cloth. Never submerge in water. Store in a cool, dry place when not in use.



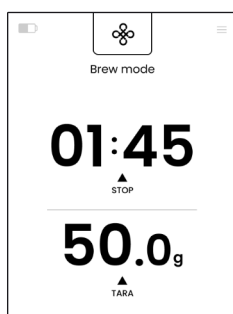
Grind mode

This mode displays weight only and includes two customizable presets. You can set up different target doses—perfect for switching between single and double espresso recipes. Tare the scale by pressing the button on the display.



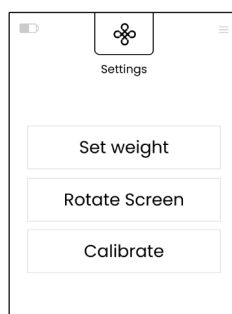
Advanced mode

For those seeking ultimate control, Advanced Mode displays weight, timer, and real-time flow rate. Watch your pour speed in grams per second and adjust in real time to perfect your brew.



Brew mode

In Brew Mode, the scale displays both weight and a timer, giving you control over time-based extractions like pour-overs or French press. Tap the timer to start or stop as you brew.



Settings

In the settings menu, you can edit your grind presets, rotate the screen for different setups, and calibrate the scale. Just follow the on-screen instructions—everything is guided, step by step.

Need Help Along the Way?



We're here to support your journey with the Neccst Scale—whether you need setup assistance, calibration guidance, or just a few pro tips.

Scan the QR code for the full user guide and troubleshooting support, or reach out to us directly anytime.